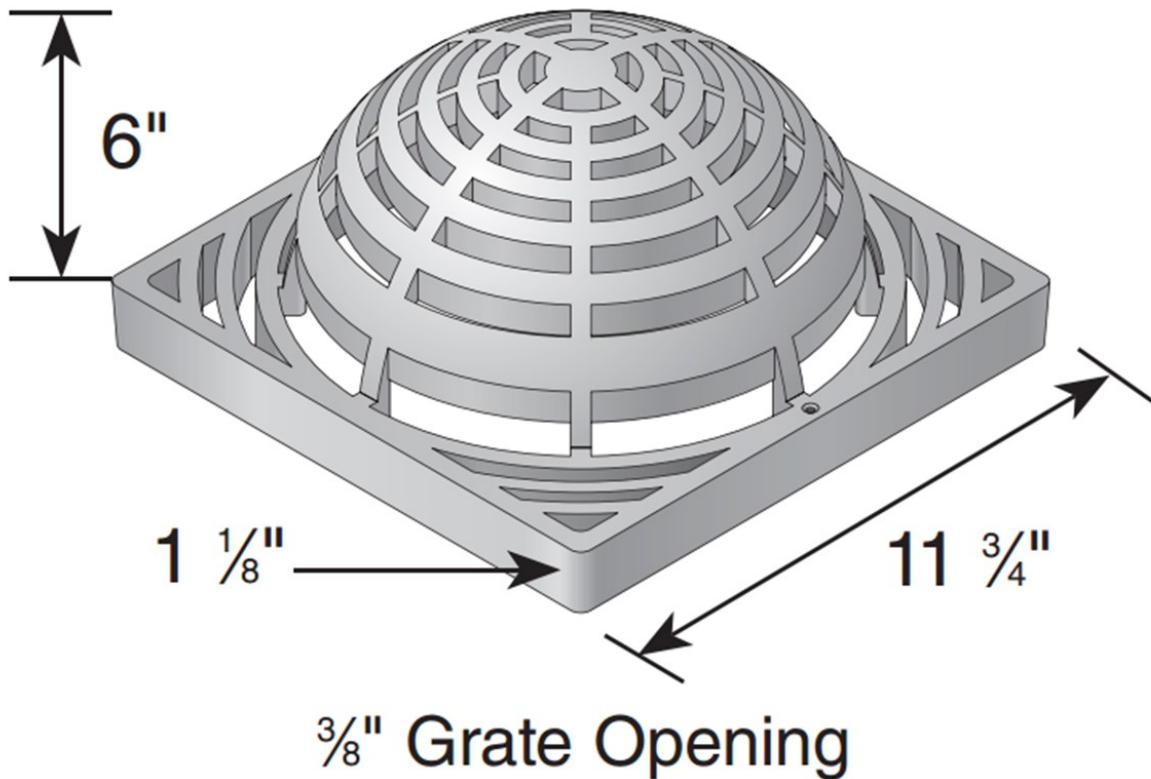


## 12" x 12" ATRIUM GRATE



Material: UV Protected High Density Polyethylene (HDPE)

Weight: 1.74 lbs

Colors: Green (1280), Black (1290)

Fits: Use with 12" Catch basin series

Grate Openings: 50.60 in<sup>2</sup>

Will accommodate 154.79 gallons per minute with 1/2" of head

Supplied By:

**TRENCHDRAIN  
SUPPLY**

877-903-7246

[www.trenchdrainsupply.com](http://www.trenchdrainsupply.com)

